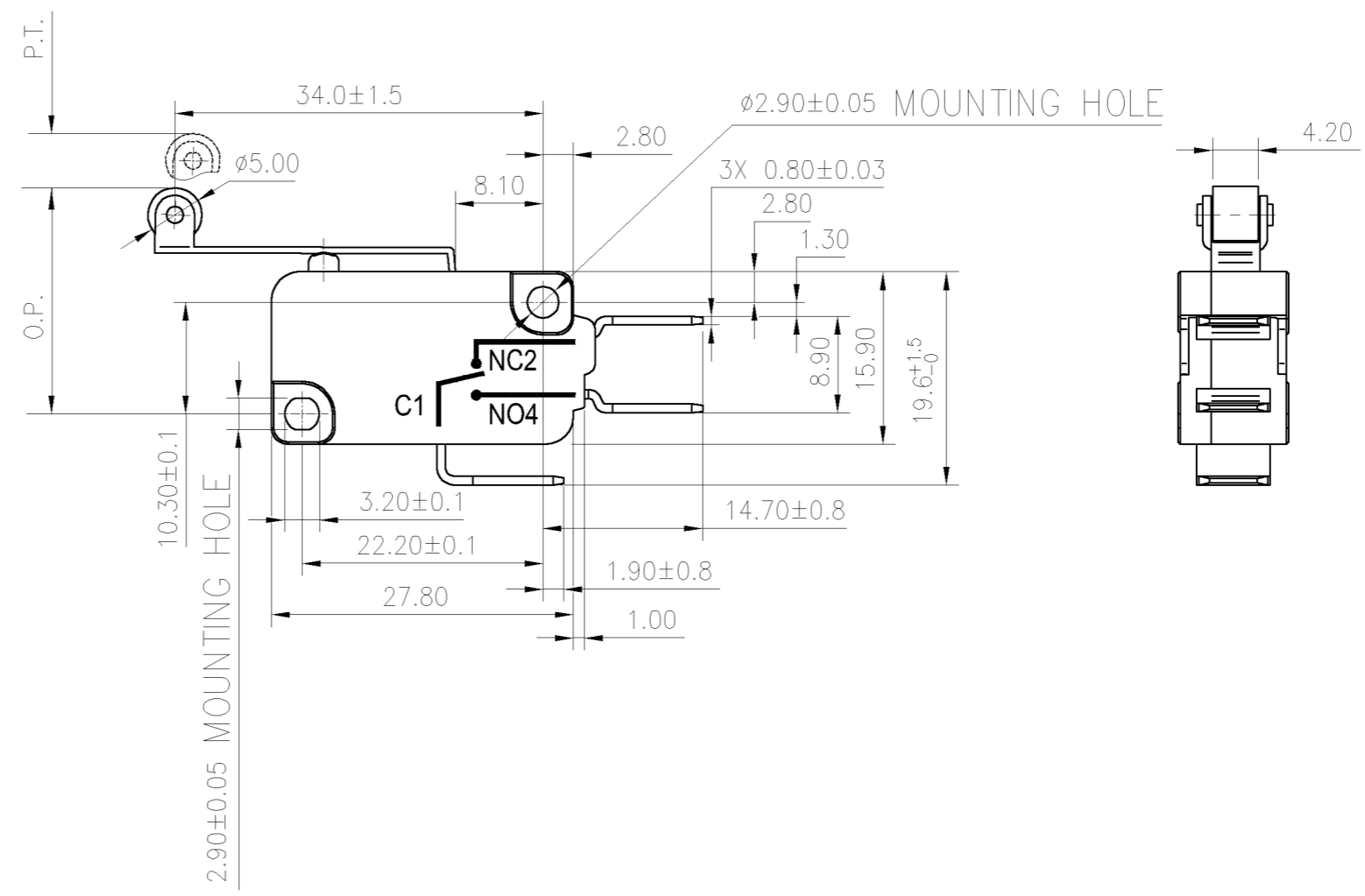
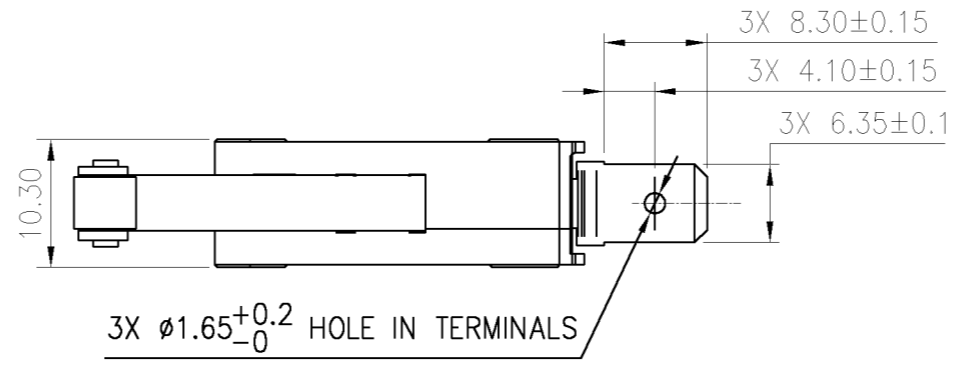


|                          |
|--------------------------|
| HONEYWELL<br>PART NUMBER |
| V15T16-CZ300A06-K        |
| PRODUCT CODE             |
| CFW2059                  |

| REV | DOCUMENT | CHANGED BY | CHECK |
|-----|----------|------------|-------|
| A   | 0038670  | VS 10APR08 | BLR   |



NOTES:  
1. TERMINALS WILL ACCEPT 6.35mm WIDE QUICK CONNECT RECEPTACLES AND COMPLY WITH EN61058-1 REQUIREMENTS.

| CHARACTERISTICS        |             |
|------------------------|-------------|
| OPERATING FORCE:       | 180gf MAX.  |
| DIFFERENTIAL FORCE:    |             |
| RELEASE FORCE:         | 30gf MIN.   |
| FREE POSITION:         |             |
| OPERATING POSITION:    | 20.6±1.6MM. |
| PRE-TRAVEL:            | 3.2MM MAX.  |
| DIFFERENTIAL TRAVEL:   | 1.2MM MAX.  |
| OVER-TRAVEL:           | 1.3MM MIN.  |
| FULL OVERTRAVEL FORCE: |             |

| ELECTRICAL DATA                |                              |
|--------------------------------|------------------------------|
| CONTACT ARRANGEMENT<br>S.P.D.T |                              |
|                                | 16(4)A 250V~<br>25T125 µ 5E4 |
|                                | 16A 1/2HP 125/250VAC         |

|                          |      |   |        |
|--------------------------|------|---|--------|
| DESIGN UNITS: MM         |      |   |        |
| TOLERANCES UNLESS NOTED: |      |   |        |
| NO PLACE                 | X    | ± | ±      |
| ONE PLACE                | .X   | ± | ±      |
| TWO PLACE                | .XX  | ± | ± 0.40 |
| THREE PLACE              | .XXX | ± | ±      |
| ANGLES                   | X    | ± | ± 2°   |
| THIRD ANGLE PROJECTION   |      |   |        |
|                          |      |   |        |

|  |     |         |
|--|-----|---------|
| DRAWN  | KSR | 01APR08 |
| CHECK  | RJ  | 01APR08 |
| THIS DRAWING COVERS A PROPRIETARY ITEM AND IS THE PROPERTY OF HONEYWELL. THIS DRAWING IS NOT TO BE COPIED OR USED WITHOUT THE PERMISSION OF HONEYWELL. |     |         |
| INTERPRET PER ASME Y14.5M-1994 OTHER HONEYWELL ENGINEERING STANDARDS MAY APPLY   |     |         |
| AutoCAD  |     |         |

|                         |      |           |                   |        |
|-------------------------|------|-----------|-------------------|--------|
| <b>Honeywell</b>        |      |           |                   |        |
| TITLE<br>SWITCH - BASIC |      |           |                   |        |
| SIZE                    | TYPE | CAGE CODE | DRAWING NAME      | REV    |
| B                       | I    |           | V15T16-CZ300A06-K | A      |
| SCALE                   | NTS  | SHEET     |                   | 1 OF 1 |